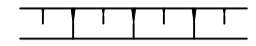
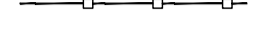
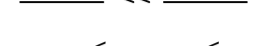



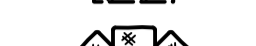



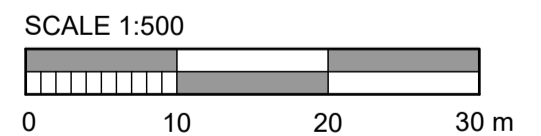
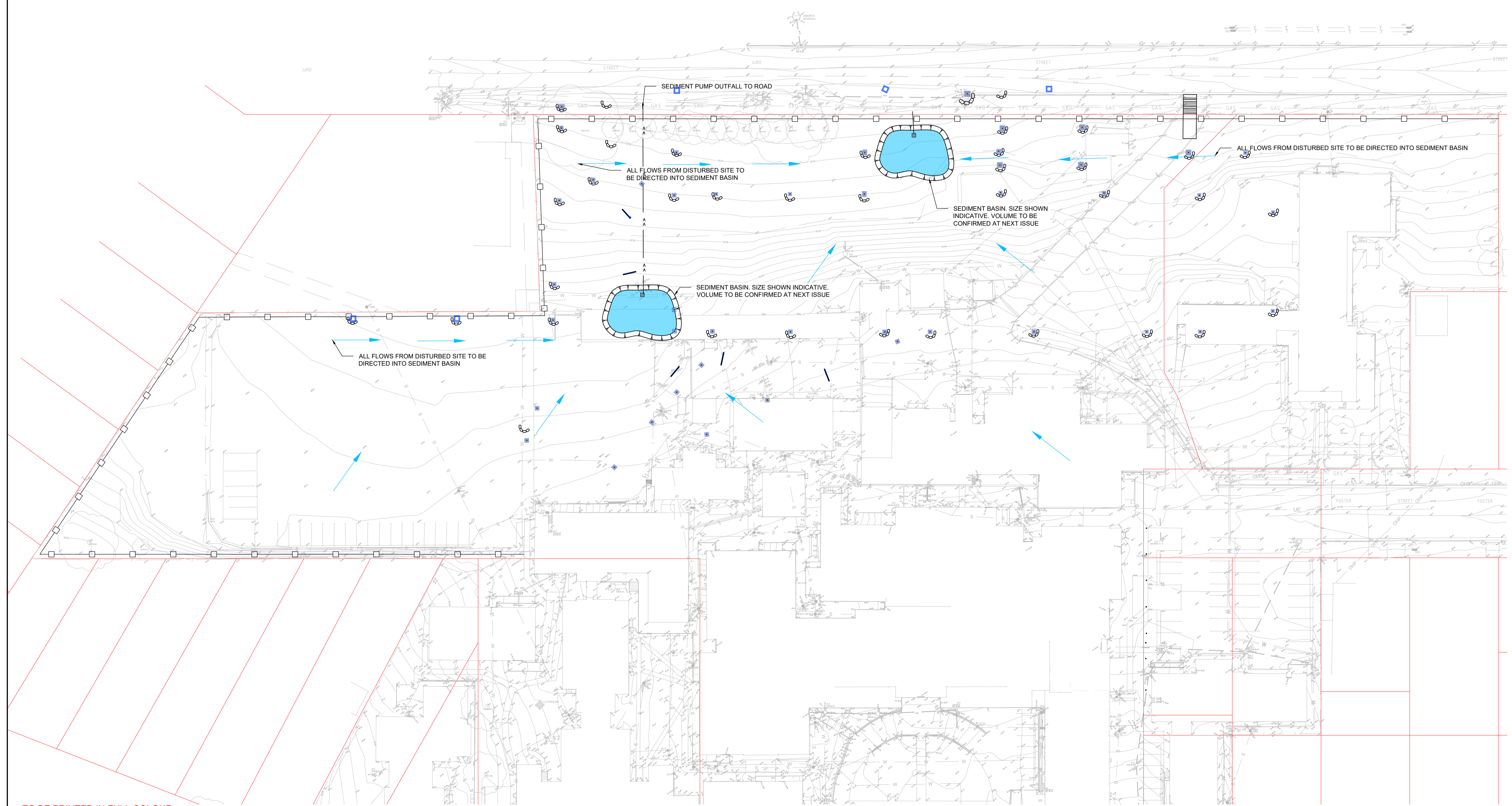


### EROSION AND SEDIMENT CONTROL LEGEND

-  Batter
-  Siltation fence, with star pickets at max 2.5m centres (typ)
-  Catch drain
-  Overland flow path
-  Tree to be removed
-  Stockpile
-  Stormwater pit, with Geotextile filter
-  Hay bale barriers
-  Sandbag sediment trap
-  Disturbed surface area



NOT FOR CONSTRUCTION

Date generated: 3/05/2024 5:21:48 PM I:\TRANSITION\STRUCT\CAD\1-680065\CIVIL\DRAWINGS\6850-CV-1001

TO BE PRINTED IN FULL COLOUR

| rev | date     | description                     | dm  | ch/k |
|-----|----------|---------------------------------|-----|------|
| 04  | 03/09/24 | ISSUE FOR REF REVIEW            | RGU | RGU  |
| 03  | 02/08/24 | ISSUE FOR 100% SCHEMATIC DESIGN | RGU | RGU  |
| 02  | 26/07/24 | ISSUE FOR 100% SCHEMATIC DESIGN | BEJ | RGU  |
| 01  | 07/06/24 | ISSUE FOR 80% SCHEMATIC DESIGN  | SCO | RGU  |

| rev | date | description | dm | ch/k |
|-----|------|-------------|----|------|
|     |      |             |    |      |
|     |      |             |    |      |
|     |      |             |    |      |



enstruct group pty ltd

Level 4, 2 Glen Street  
Milsions Point NSW 2061  
Australia

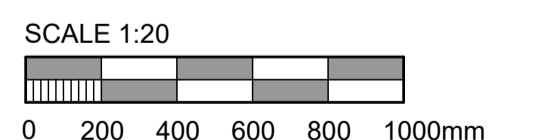
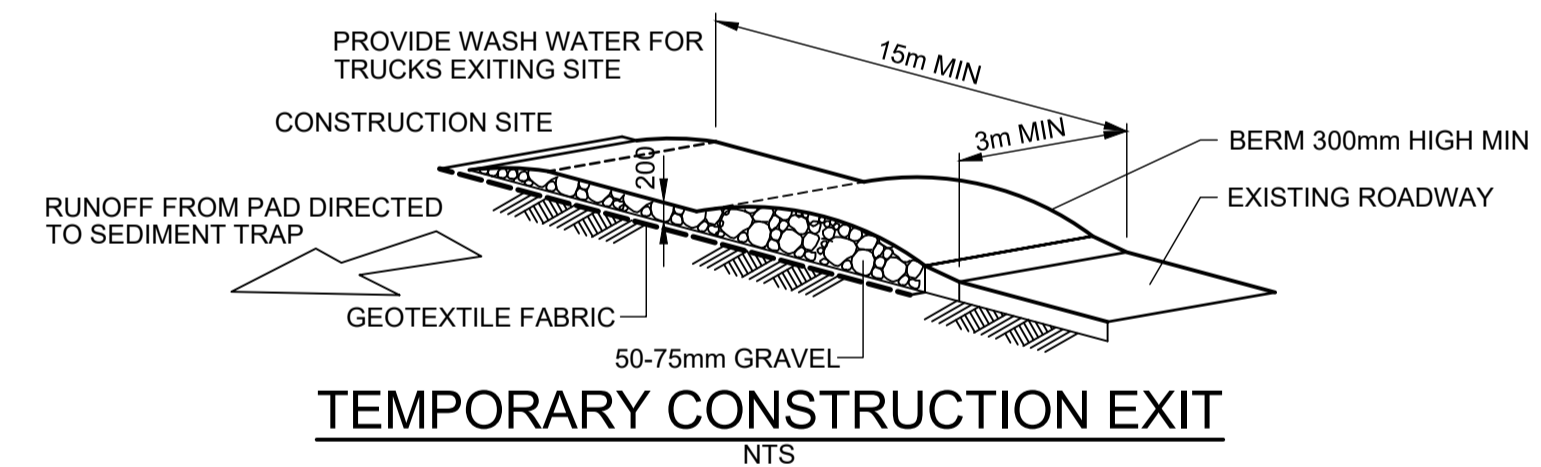
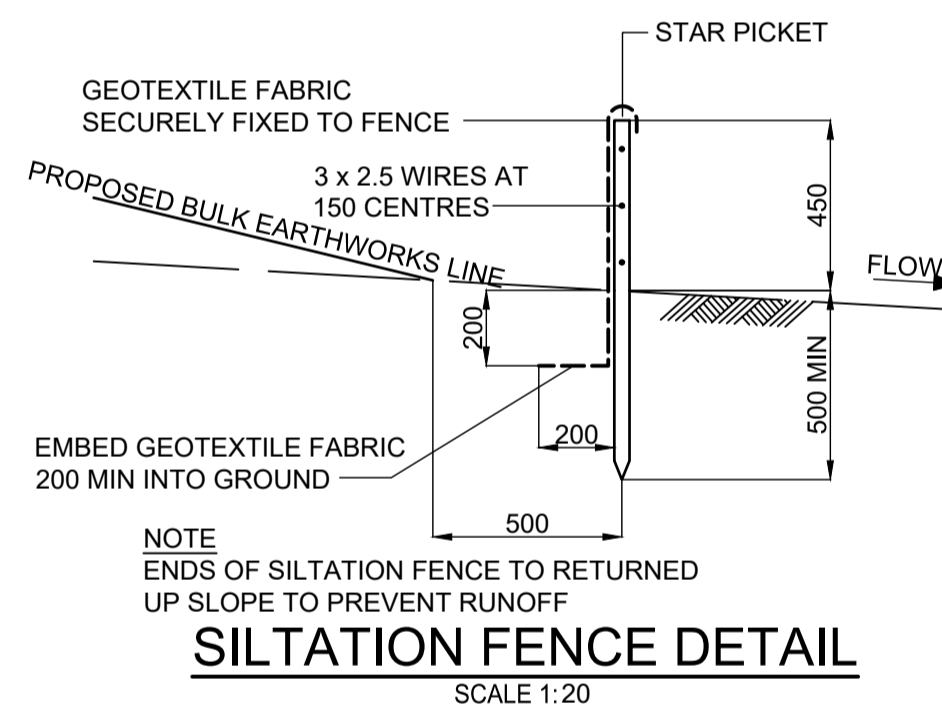
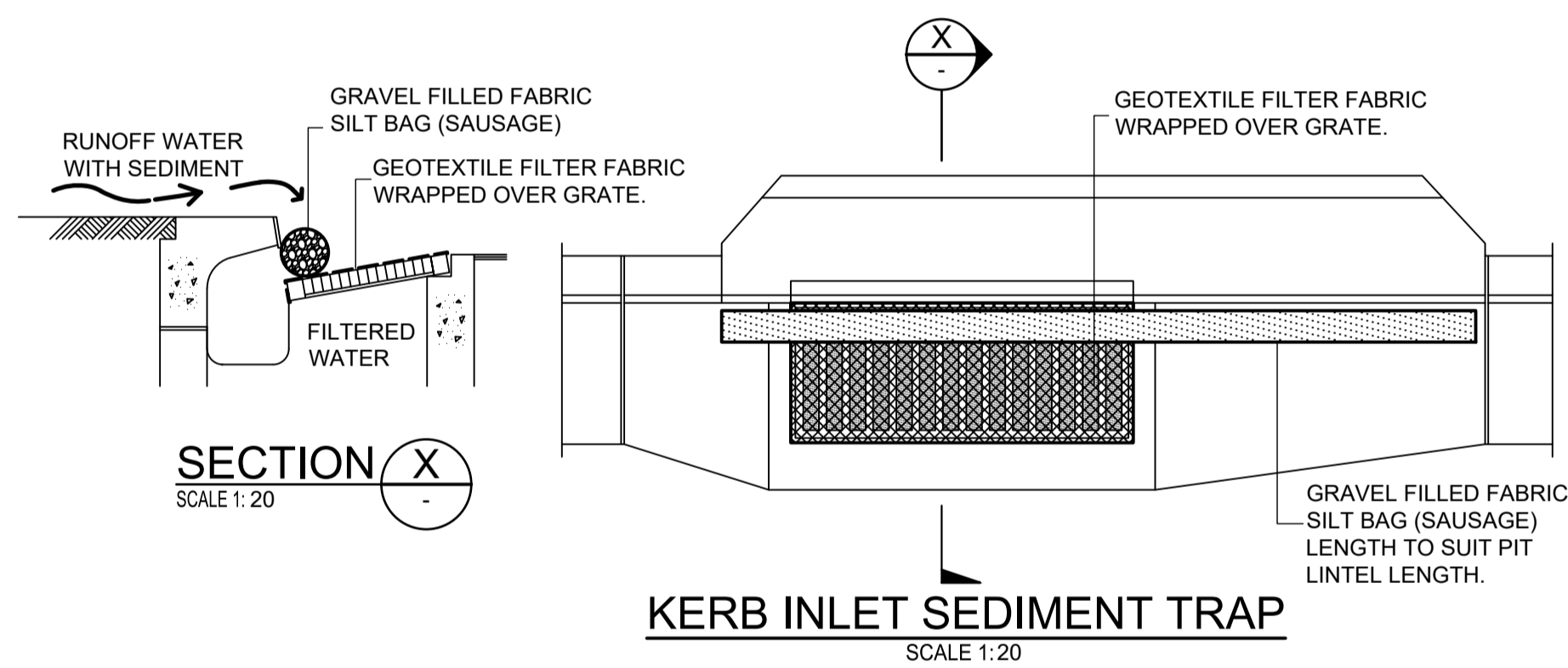
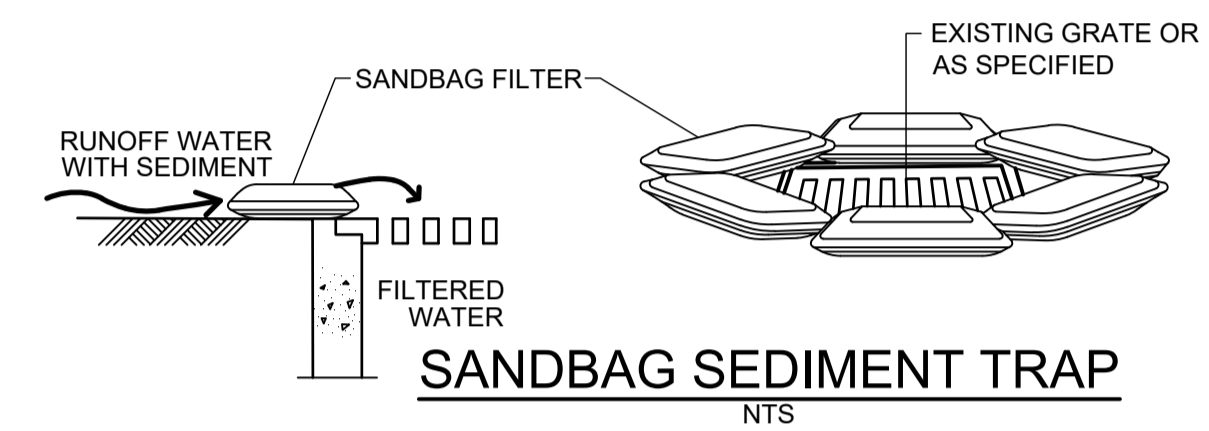
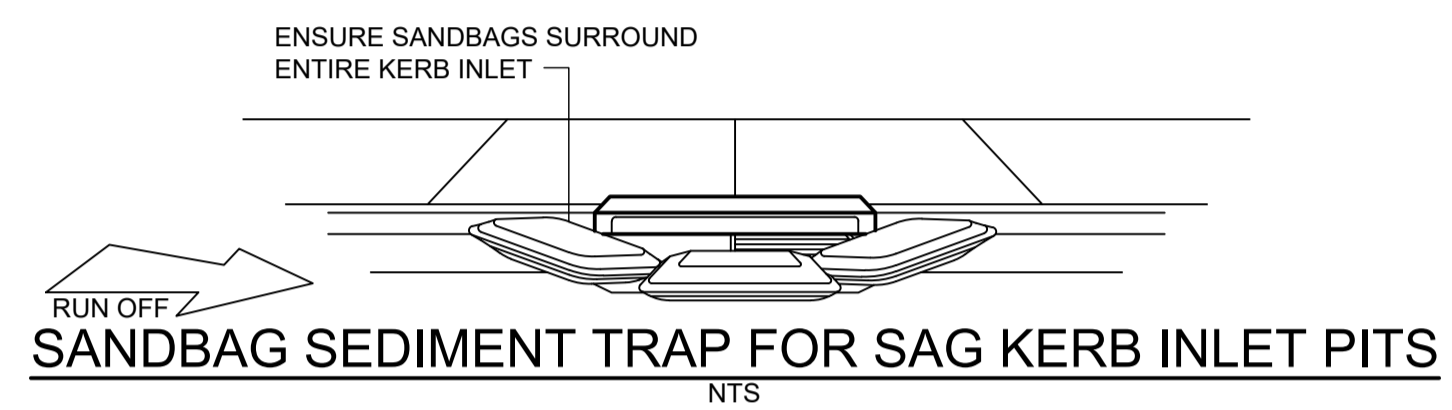
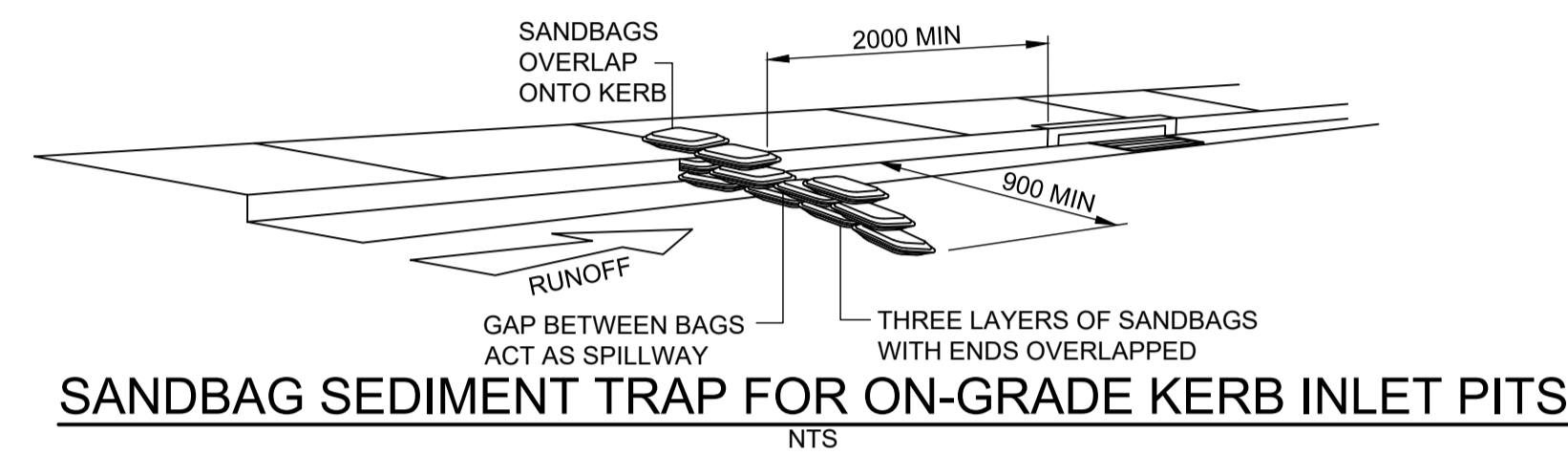
Telephone (02) 8904 1444  
Facsimile (02) 8904 1555  
www.enstruct.com.au



|         |  |
|---------|--|
| project | <b>CESSNOCK HOSPITAL REDEVELOPMENT</b> |
|         | 24 VIEW STREET, CESSNOCK, 2325 NSW     |

|               |  |
|---------------|--|
| drawing title | <b>EROSION AND SEDIMENT CONTROL PLAN</b> |
|---------------|--|

|             |              |         |          |                             |              |         |          |
|-------------|--------------|---------|----------|-----------------------------|--------------|---------|----------|
| status      |              |         |          | <b>FOR INFORMATION ONLY</b> |              |         |          |
| scale at A1 | drawn        | checked | approved | scale at A1                 | drawn        | checked | approved |
| 1:500       | SCO          | RGU     |          | 1:500                       | SCO          | RGU     |          |
| project no. | sheet        | rev.    |          | project no.                 | sheet        | rev.    |          |
| 6850        | 6850-CV-1001 | 04      |          | 6850                        | 6850-CV-1001 | 04      |          |



TO BE PRINTED IN FULL COLOUR

NOT FOR CONSTRUCTION

| rev | date     | description                     | dm  | ch/k |
|-----|----------|---------------------------------|-----|------|
| 04  | 03/09/24 | ISSUE FOR REF REVIEW            | RGU | RGU  |
| 03  | 29/07/24 | ISSUE FOR 100% SCHEMATIC DESIGN | ASE | RGU  |
| 02  | 26/07/24 | ISSUE FOR 100% SCHEMATIC DESIGN | BEJ | RGU  |
| 01  | 07/06/24 | ISSUE FOR 80% SCHEMATIC DESIGN  | SCO | RGU  |

| rev | date | description | dm | ch/k |
|-----|------|-------------|----|------|
|     |      |             |    |      |
|     |      |             |    |      |
|     |      |             |    |      |



enstruct group pty ltd

Level 4, 2 Glen Street  
Milsions Point NSW 2061  
Australia

Telephone (02) 8904 1444  
Facsimile (02) 8904 1555  
www.enstruct.com.au



|                                    |                                 |
|------------------------------------|---------------------------------|
| project                            | CESSNOCK HOSPITAL REDEVELOPMENT |
| 24 VIEW STREET, CESSNOCK, 2325 NSW |                                 |

|               |   |
|---------------|---|
| drawing title | EROSION AND SEDIMENT CONTROL DETAIL SHEET 1 |
|---------------|---|

|                      |                      |             |                 |  |
|----------------------|----------------------|-------------|-----------------|--|
| status               | FOR INFORMATION ONLY |             |                 |  |
| scale at A1 AS SHOWN | drawn SCO            | checked RGU | approved JUN-24 |  |
| project no. 6850     | sheet 6850-CV-1101   | rev. 04     |                 |  |